

# DURABOOK

Prepared for the Unexpected

# Z14I Laptop Solution Guide





# Z14I Laptop

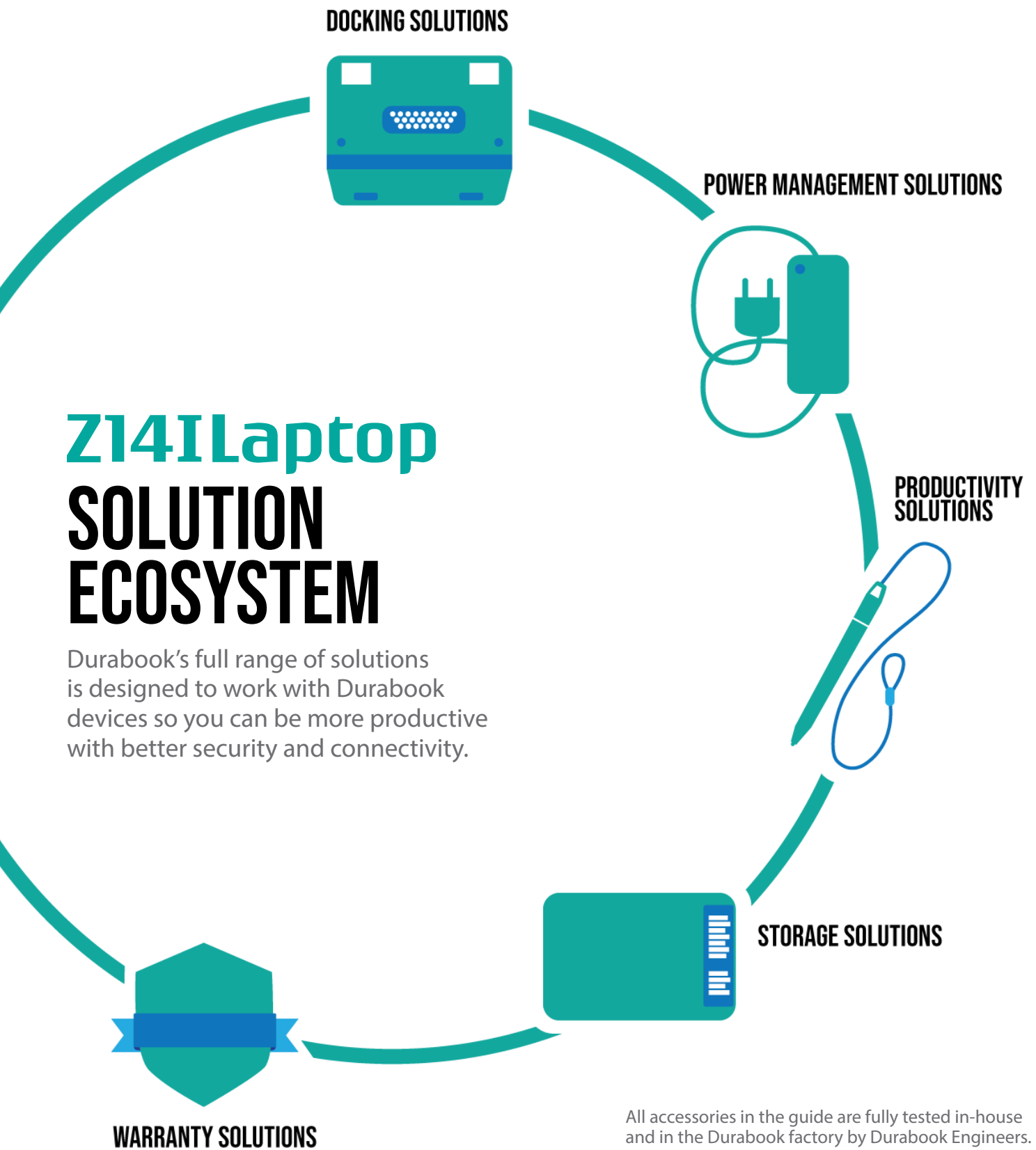
## As Strong As It Gets. Boundless Customization.

Combined with the latest 11th Generation Intel® Core™ processor and Iris® Xe graphics capabilities, the Z14I rugged laptop can handle data intensive tasks at speed. It has been built to withstand even the harshest of environments. Its IP65 rating, protecting against dust and water ingress, MIL-STD 810H certification and resistance up to six feet drop make the Z14I more rugged than other comparable devices on the market. The device has also been tested for explosive atmosphere, solar radiation, salt fog, and fungus resistance, which goes beyond testing standards compared to other rugged devices in its class. The Z14I includes Durabook's proprietary DynaVue® technology and high-definition multi-touch screen, offering the highest contrast ratio, which helps to eliminate internal reflections that enhance viewing clarity even from different angles, and in bright sunshine or low light conditions.

- 14.0" FHD DynaVue® SR display with 1000 nits
- 11th Generation Intel® Core™ Processor
- Extreme rugged certified for salt fog & fungus resistance
- Up to 25 hrs. with 2nd battery
- Fanless design with tremendous I/O options
- Standard backlit keyboard & multimedia bay options



# Z14I LAPTOP SOLUTION ECOSYSTEM

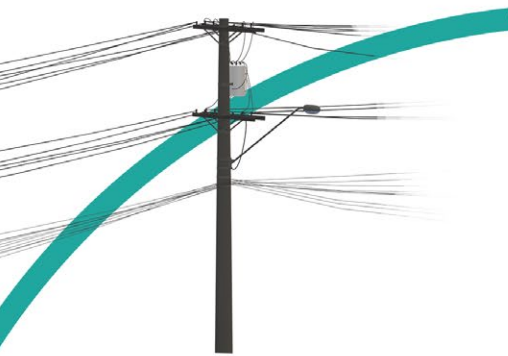


All accessories in the guide are fully tested in-house and in the Durabook factory by Durabook Engineers.

# VERSATILE SOLUTIONS FOR THE MODERN WORKFORCE

FIELD SERVICE

UTILITY



MILITARY &  
DEFENSE



# VERSATILE SOLUTIONS FOR THE MODERN WORKFORCE

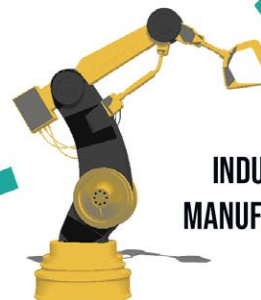
Built to meet the heightened needs of industry clients, Durabook's unmatched rugged product lineup has everything you need.



PUBLIC SAFETY &  
EMERGENCY SERVICE



OIL & GAS



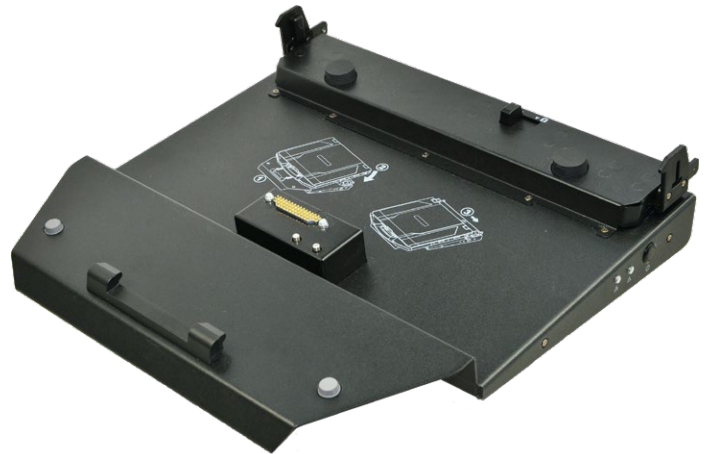
INDUSTRIAL  
MANUFACTURING

# DOCKING SOLUTIONS

## Office Dock with 120W AC Adapter

Ports:

- DC-in jack x 1
- 10/100/1000 Ethernet (RJ-45) x 1
- USB 3.0 (type A) x 2
- USB 2.0 (type A) x 2
- DP (DisplayPort) port x 1
- HDMI port (type A) x 1
- VGA port x 1
- Serial COM port (D-sub) x 1
- Audio out jack
- Microphone in jack



Size: 322 mm (W) x 321 mm (D) x 78 mm (H)

Weight: 2.88 kg

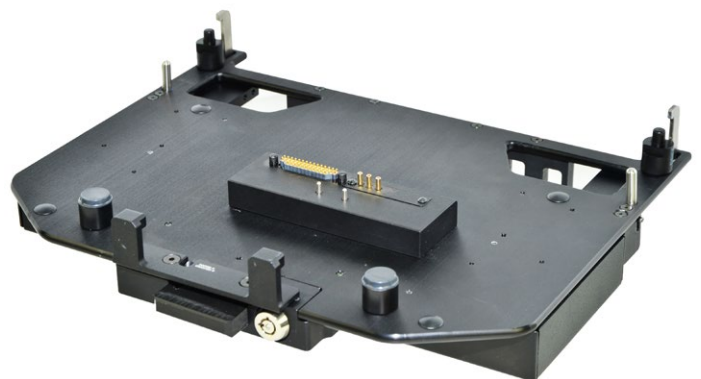
Part Number:

**DDXZ4\_**

## Vehicle Dock with Tri-RF Pass-through (PMT)

Ports:

- DC-in jack x 1
- 10/100/1000 Ethernet (RJ-45) x 1
- USB 3.0 (type A) x 2
- USB 2.0 (type A) x 2
- DP (DisplayPort) port x 1
- HDMI port (type A) x 1
- VGA port x 1
- Serial COM port (D-sub) x 1
- Audio out jack
- Microphone in jack
- GPS/WWAN/WLAN Pass-through



Size: 379.2 mm (W) x 294.9 mm (D) x 145.5 mm (H)

Weight: 4.15kg

Part Number:

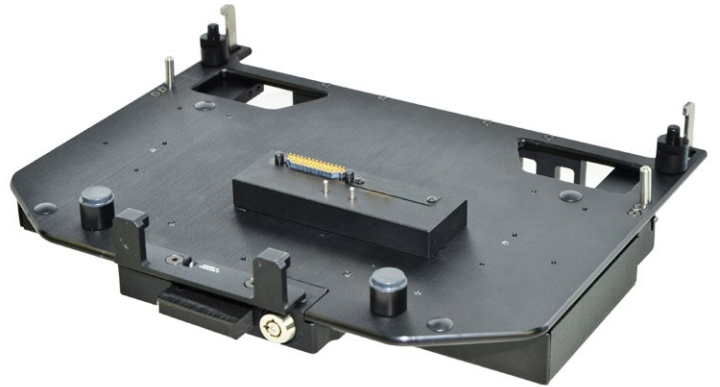
**TVPZ4P**

# DOCKING SOLUTIONS

## Vehicle Dock without Tri-RF Pass-through (PMT)

Ports:

- DC-in jack x 1
- 10/100/1000 Ethernet (RJ-45) x 1
- USB 3.0 (type A) x 2
- USB 2.0 (type A) x 2
- DP (DisplayPort) port x 1
- HDMI port (type A) x 1
- VGA port x 1
- Serial COM port (D-sub) x 1
- Audio out jack
- Microphone in jack



Size: 379.2 mm (W) x 294.9 mm (D) x 145.5 mm (H)

Weight: 4.22kg

Part Number:

**TVXZ4P**

# POWER MANAGEMENT SOLUTIONS

## Spare Main Battery

Part Number:  
**DBMZ4X**



## Removable 2nd Battery for media bay

Part Number:  
**DB2Z4X**



## Battery Charger - 2 bays

Part Number:  
**DC2Z4\_**



*Supports both main and second battery  
Supports up to three 2-Bay Chargers daisy chained together using the attached DC-out cable.*

**Power Input:** 100-240V, 50-60Hz, 65W AC Adapter  
**Dimensions:** 151 mm (W) x 160 mm (D) x 85 mm (H)  
**Weight:** 0.66kg

## Battery Charger - 8 bays

Part Number:  
**DC8Z4\_**



*Supports both main and second battery  
Supports both main and hi-cap battery  
Supports battery calibration with the push of a button.*  
**Power Input:** 100-240V, 50-60Hz, 200W Internal Power Supply  
**Dimensions:** 550 mm (W) x 175 mm (D) x 103 mm (H)  
**Weight:** 4.5kg

## 90W AC Adapter with power cord

Part Number:  
**DAA9X\_**



## 120W AC Adapter with power cord

Part Number:  
**DAA2X\_**



MIL-STD-461G Compliant

## Car Adapter (11-32V DC 90W)

Part Number:  
**DAD4XX**



## PRODUCTIVITY SOLUTIONS

**Expansion Box - discrete VGA with  
NVIDIA GeForce GTX1050 and  
120W AC Adapter**

Part Number:  
**DEVZ4\_**



**Expansion Box - Military-grade  
Connectors**

Part Number:  
**Project-based\***



**Expansion Box -  
PCI-Express (2 slots)  
with 120W AC Adapter**

Part Number:  
**DEEZ4\_**



**Expansion Box - portable Server  
(default 3 x 1TB SSD  
and 120W AC Adapter)**

Part Number:  
**DESZ4\_-A4**



**Expansion Box - portable Server  
(default 3 x 1TB SSD with additional  
1 x 1TB SSD and 120W AC Adapter)**

Part Number:  
**DESZ4\_-B4**



**Expansion Box - portable Server  
(default 3 x 2TB SSD and 120W AC Adapter)**

Part Number:  
**DESZ4\_-A5**



**Expansion Box - portable Server  
(default 3 x 2TB SSD with additional  
1 x 2TB SSD and 120W AC Adapter)**

Part Number:  
**DESZ4\_-B5**



**Shoulder Strap (2 Point)**

Part Number:  
**DMS2XX**



\* Request special order. Please contact Durabook representative for details.



# PRODUCTIVITY SOLUTIONS

## Spare Stylus & Tether

Part Number:  
**DMSTXX**



## Screen Protector Film

Part Number:  
**DPFZ4X**



## Removable Super Multi DVD for media bay

Part Number:  
**DEDZ4X**



# STORAGE SOLUTIONS

## Spare SSD with canister

Part Numbers:

**DSMZ44** - 1TB

**DSMZ43** - 512GB

**DSMZ42** - 256GB



## 2nd SSD for media bay

Part Numbers:

**DS2Z44** - 1TB

**DS2Z43** - 512GB

**DS2Z42** - 256GB



# WARRANTY SOLUTIONS

## Extended Warranty

Durabook's Extended Warranty provides up to an additional 4 years of warranty thereby minimizing the cost of repair throughout the lifecycle of your device.

Part Numbers:

**EW4-Z14** - Extended Warranty - Years 1 to 4 (including 1 Year Extended Warranty)

**EW5-Z14** - Extended Warranty - Years 1 to 5 (including 2 Year Extended Warranty)

**EW6-Z14** - Extended Warranty - Years 1 to 6 (including 3 Year Extended Warranty)

**EW7-Z14** - Extended Warranty - Years 1 to 7 (including 4 Year Extended Warranty)

## Accidental Damage Warranty (Protection Plus)

Durabook's Accidental Damage Warranty provides up to 7 years of warranty. With Durabook's Accidental Damage Warranty your Durabook rugged devices are covered for accidental damage.

Part Numbers:

**PP3-Z14** - Accidental Damage Warranty - Years 1 to 3

**PP4-Z14** - Accidental Damage Warranty - Years 1 to 4 (including 1 Year Extended Warranty)

**PP5-Z14** - Accidental Damage Warranty - Years 1 to 5 (including 2 Year Extended Warranty)

**PP6-Z14** - Accidental Damage Warranty - Years 1 to 6 (including 3 Year Extended Warranty)

**PP7-Z14** - Accidental Damage Warranty - Years 1 to 7 (including 4 Year Extended Warranty)

## Extended Battery Warranty

Durabook's Extended Battery Warranty provides up to 5 years of warranty on the device's main standard battery providing you with a worry free solution for your workforce.

Part Numbers:

**EBW2-Z14** - Extended Battery Warranty - 2 Years Cover (Main Standard Battery Only)

**EBW3-Z14** - Extended Battery Warranty - 3 Years Cover (Main Standard Battery Only)

**EBW4-Z14** - Extended Battery Warranty - 4 Years Cover (Main Standard Battery Only)

**EBW5-Z14** - Extended Battery Warranty - 5 Years Cover (Main Standard Battery Only)

# SOLUTION OVERVIEW

| CATEGORY                      | ITEM  | PART NO.                    |
|-------------------------------|---|-----------------------------|
| DOCKING SOLUTIONS             | Office Dock with 120W AC Adapter  | DDXZ4_                      |
|                               | Vehicle Dock with Tri-RF Pass-through (PMT)   | TVPZ4P                      |
|                               | Vehicle Dock without Tri-RF Pass-through (PMT)  | TVXZ4P                      |
| POWER MANAGEMENT SOLUTIONS    | Spare Main Battery  | DBMZ4X                      |
|                               | Removable 2nd Battery for media bay   | DBZ24X                      |
|                               | Battery Charger - 2 bays  | DC2Z4_                      |
|                               | Battery Charger - 8 bays  | DC8Z4_                      |
|                               | 90W AC Adapter with power cord  | DAA9X_                      |
|                               | 120W AC Adapter with power cord   | DAA2X_                      |
|                               | Car Adapter (11-32V DC 90W)   | DAD4XX                      |
| PRODUCTIVITY SOLUTIONS        | Expansion Box - discrete VGA with NVIDIA GeForce GTX1050 and 120W AC Adapter                          | DEVZ4_                      |
|                               | Expansion Box - Military-grade Connectors   | Project-based               |
|                               | Expansion Box - PCI-Express (2 slots) with 120W AC Adapter  | DEEZ4_                      |
|                               | Expansion Box - portable Server (default 3 x 1TB SSD and 120W AC Adapter)                             | DESZ4_-A4                   |
|                               | Expansion Box - portable Server (default 3 x 1TB SSD with additional 1 x 1TB SSD and 120W AC Adapter) | DESZ4_-B4                   |
|                               | Expansion Box - portable Server (default 3 x 2TB SSD and 120W AC Adapter)                             | DESZ4_-A5                   |
|                               | Expansion Box - portable Server (default 3 x 2TB SSD with additional 1 x 2TB SSD and 120W AC Adapter) | DESZ4_-B5                   |
|                               | Shoulder Strap (2 Point)  | DMS2XX                      |
|                               | Spare Stylus & Tether   | DMSTXX                      |
|                               | Screen Protector Film   | DPFZ4X                      |
|                               | Removable Super Multi DVD for media bay   | DEDZ4X                      |
|                               | STORAGE SOLUTIONS   | Spare 1TB SSD with canister |
| Spare 512GB SSD with canister |   | DSMZ43                      |
| Spare 256GB SSD with canister |   | DSMZ42                      |
| 2nd 1TB SSD for media bay     |   | DSZ244                      |
| 2nd 512GB SSD for media bay   |   | DSZ243                      |
| 2nd 256GB SSD for media bay   |   | DSZ242                      |

# SOLUTION OVERVIEW

| CATEGORY           | ITEM   | PART NO. |
|--------------------|--|----------|
| WARRANTY SOLUTIONS | Extended Warranty  |          |
|                    | Extended Warranty - Years 1 to 4 (including 1 Year Extended Warranty)          | EW4-Z14  |
|                    | Extended Warranty - Years 1 to 5 (including 2 Year Extended Warranty)          | EW5-Z14  |
|                    | Extended Warranty - Years 1 to 6 (including 3 Year Extended Warranty)          | EW6-Z14  |
|                    | Extended Warranty - Years 1 to 7 (including 4 Year Extended Warranty)          | EW7-Z14  |
|                    | Accidental Damage Warranty (Protection Plus)                                   |          |
|                    | Accidental Damage Warranty - Years 1 to 3                                      | PP3-Z14  |
|                    | Accidental Damage Warranty - Years 1 to 4 (including 1 Year Extended Warranty) | PP4-Z14  |
|                    | Accidental Damage Warranty - Years 1 to 5 (including 2 Year Extended Warranty) | PP5-Z14  |
|                    | Accidental Damage Warranty - Years 1 to 6 (including 3 Year Extended Warranty) | PP6-Z14  |
|                    | Accidental Damage Warranty - Years 1 to 7 (including 4 Year Extended Warranty) | PP7-Z14  |
|                    | Extended Battery Warranty  |          |
|                    | Extended Battery Warranty - 2 Years Cover (Main Standard Battery Only)         | EBW2-Z14 |
|                    | Extended Battery Warranty - 3 Years Cover (Main Standard Battery Only)         | EBW3-Z14 |
|                    | Extended Battery Warranty - 4 Years Cover (Main Standard Battery Only)         | EBW4-Z14 |
|                    | Extended Battery Warranty - 5 Years Cover (Main Standard Battery Only)         | EBW5-Z14 |



**DURABOOK**

Prepared for the Unexpected

[www.durabook.com](http://www.durabook.com)

Copyright© Twinhead International Corp. and/or any of its affiliates. All Rights Reserved.

All brand names are registered trademarks of their respective owners.

The specifications and pictures are subject to change without notice.

July 2021\_Z14I\_V1